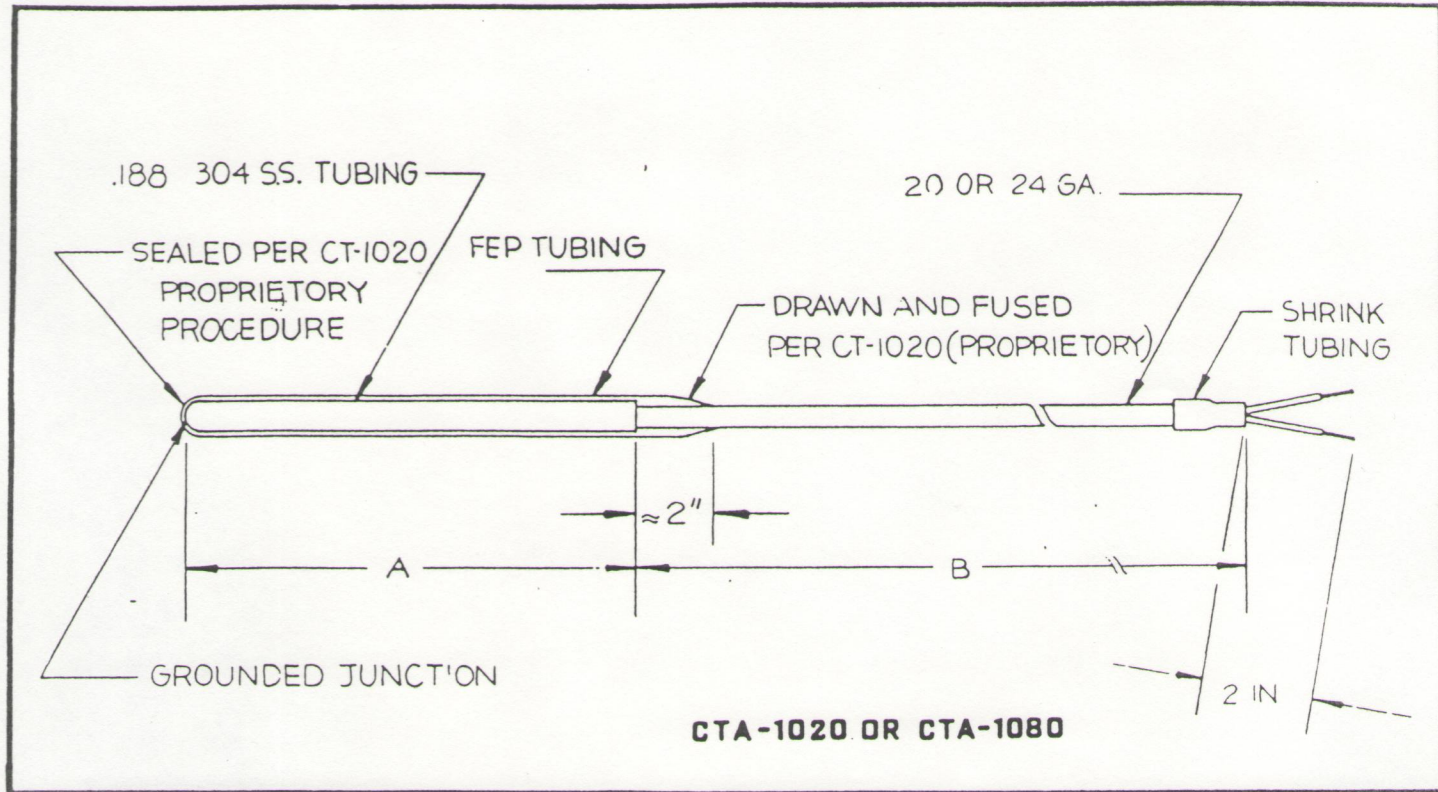




1285 Jefferson Street
Anaheim, CA 92807
(714) 630-8451

TEFLON INSULATED



ARE CORROSIVE CHEMICALS DESTROYING YOUR TEMPERATURE SENSORS BEFORE THEIR TIME?

C-Temp Inc. has developed a process for encapsulating temperature sensors in Teflon.

The most extreme corrosive mixtures of hydrofluoric, sulfuric and nitrous acids up to 400°F have no effect on performance.

The sensors are hermetically sealed at the sensing junction with a Teflon mass equal to the wall thickness of the Teflon tubing allowing optimum response time. The Teflon tubing continues the length of the sensor and is drawn down and fused to Teflon extension wire.

C-Temp's CTA-1020, as pictured above, is available in Thermocouple Types J, K, T and Resistance Temperature Detectors together with Platinum, Copper, Nickel or Balco. Finished diameters available are: .125, .188, .250 and .375, allowing the assembly to be mounted with a Teflon Compression Fitting.

Assemblies can also be supplied in a "U" configuration allowing them to be hung over the side of corrosive tanks. For specific applications, please contact the factory.